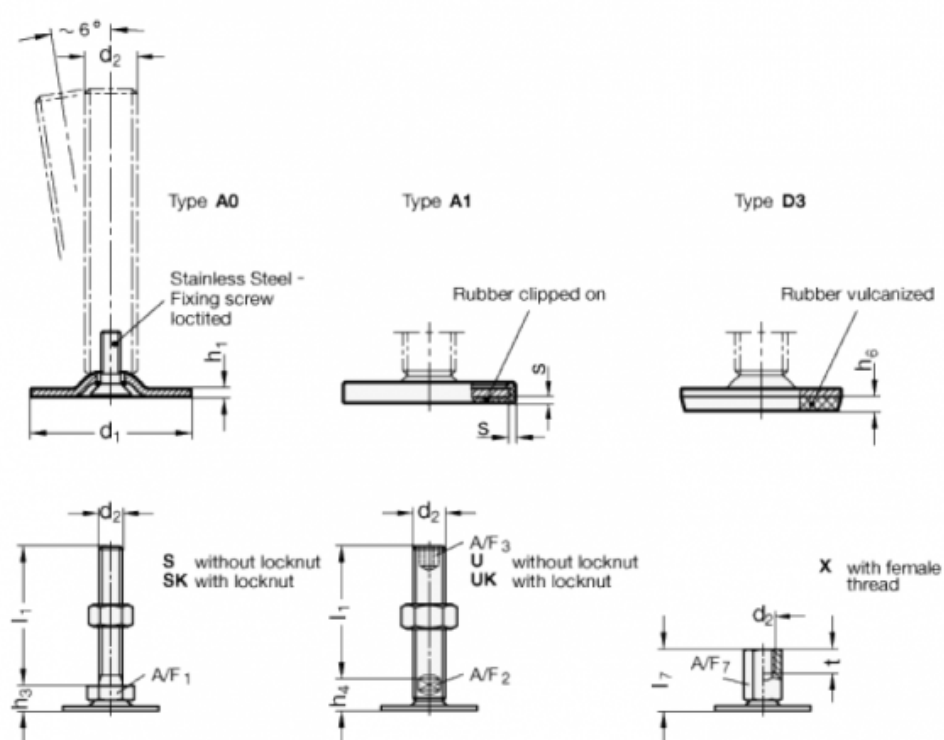


Article number: 204060M825A3X

Description: E+G levelling foot  
GN 40-60-M8-25-A3-X

Note: X With female thread, External hexagon

## Measures



A/F7 = 14

d1 = 60

d2 = M8

h1 = 2.5

h6 = 4.5

l7 = 25

s =

t = 8